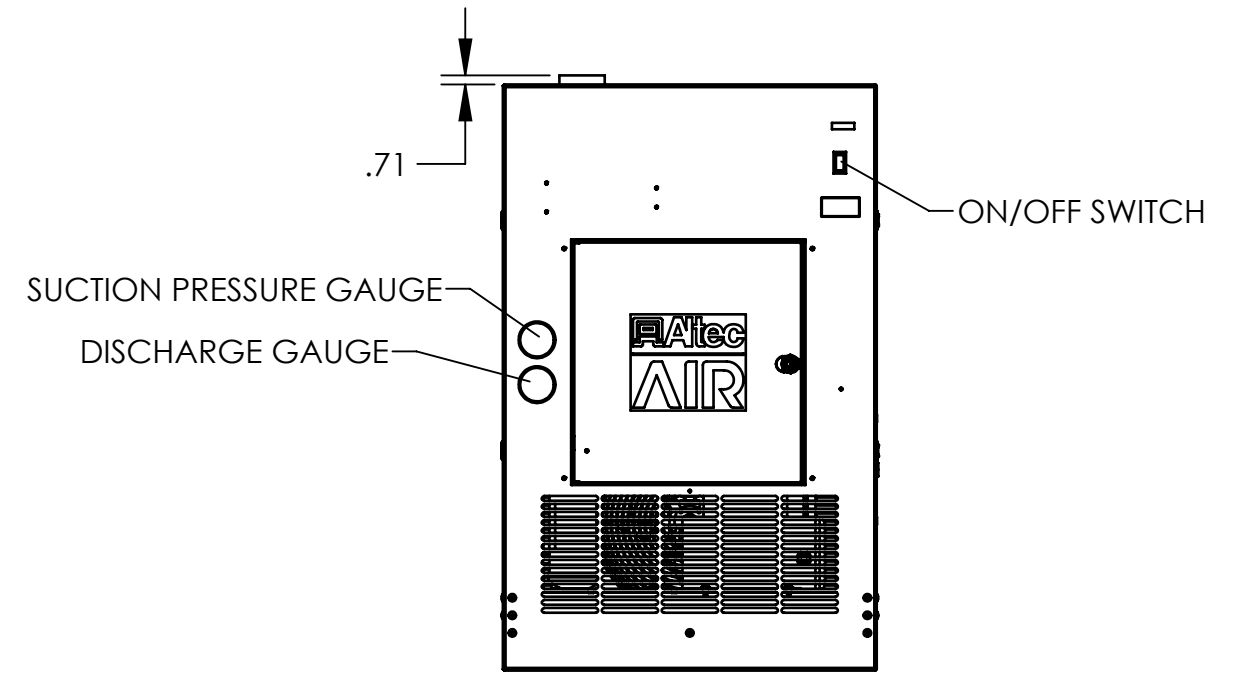
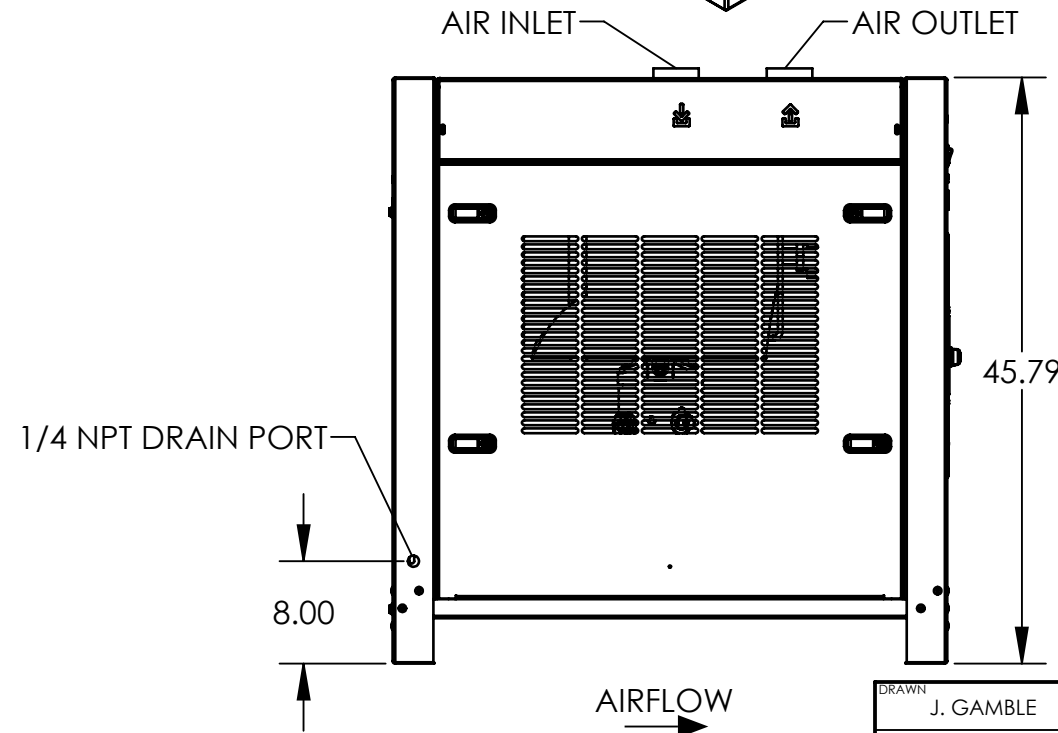
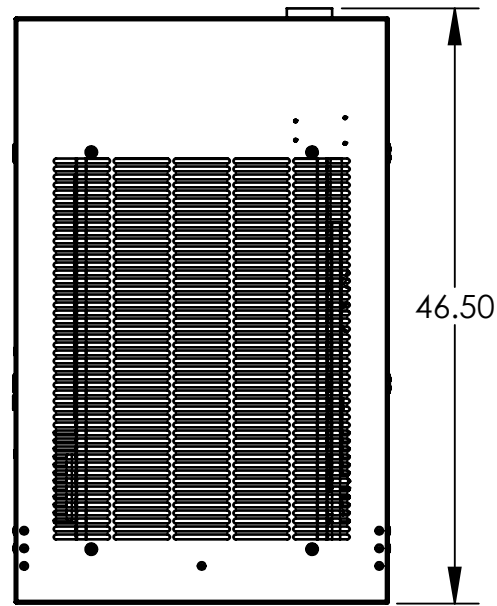
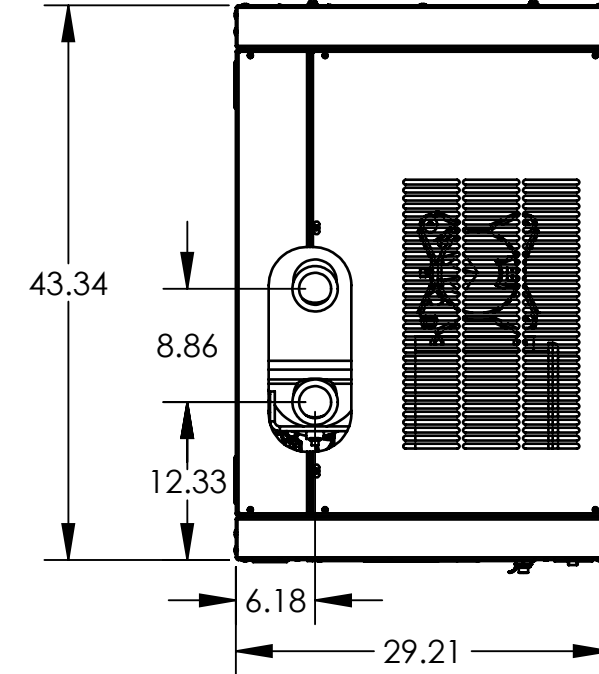
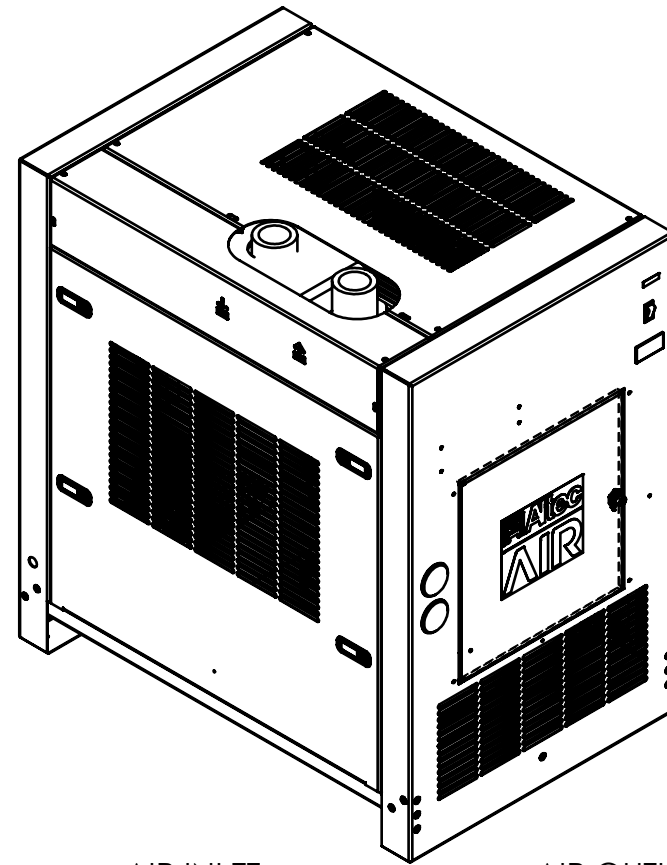


MODEL	RAD-0600A-5
VOLTAGE	575V-3PH-60HZ
RLA	4.8
LRA	24.8
MCA	4.7
MOP	15
COMPRESSOR HP	3-1/2
COMPRESSOR	SCROLL
REFRIGERANT	R449A
REFRIGERANT CHARGE (OZ)	96
MAX INLET AIR TEMP (F)	140
MAX INLET AIR PRESSURE (PSI)	232
MIN/MAX AMBIENT TEMP (F)	45/120
REFRIGERANT PRESSURE RANGE (PSI)	181/450
INLET/OUTLET PORT (NPT)	2-1/2
WEIGHT(LB)	500



DRAWN	J. GAMBLE
APPROVED	
DATE	10/20/2022
MATERIAL	
FINISH	

UNLESS OTHERWISE NOTED, TOLERANCES ARE:
 FRACTIONS: $\pm 1/16$ ANGLES: $\pm 0^{\circ}30'$
 DECIMAL: .X = $\pm .06$ | .XX = $\pm .03$ | .XXX = $\pm .015$ | .XXXX = $\pm .0030$
 MACHINED SURFACES: 125 MICRONS
 THESE TOLERANCES DO NOT APPLY TO BASIC DIMENSIONS.
 DO NOT SCALE THIS PRINT, REMOVE ALL BURRS & SHARP EDGES, ALL DIMENSIONS ARE IN INCHES.
 CAD SOFTWARE: SOLIDWORKS.
 DRAWING DIMENSIONED TO ALTEC STANDARD: CDS-0007.



TITLE: DRYR-REFRIG; NON-CYCL; 600 SCFM; 575V/3PH; 60 HZ

CONFIDENTIAL: This drawing and its contents are the proprietary and confidential information of Atec Industries, Inc. and are not to be reproduced, copied or publicly disclosed. If this drawing is provided to someone outside Atec, it is done so for the limited purpose of assisting that recipient with a technical or product issue. In receiving this drawing, the recipient agrees to maintain it in confidence and not to use it beyond the purpose previously stated. Recipient agrees not to reproduce, copy, or publicly disclose this drawing and its contents.

SCALE	WEIGHT	SIZE	NUMBER	REV
1:15		2	100520338	B